



DATASHEET

Issue 1.0



TRANSFORMER SERIES OMEGA 3 PHASE CURRENT TRANSFORMERS

Features

- Wire sealable terminal covers
- Cost effective 3 phase case design
- Various mounting option, Din rail, Busbar or Base mounting
- Secondary terminals combined slot/posi M4 Screws
- Case Material Self-extinguishing classification VO according to UL-94.

Three phase measuring current transformers suitable for primary ranges from 60A to 630A with 5A secondary. Allowing installations directly next to the moulded case circuit breakers for greater speed of installation and optimisation of space. Applicable to MCCB such as Manufacturers: ABB, Hager, Dorman Smith, Schneider, Terasaki, Merlin Gerlin, Chint, Legrand plus many more.

SUBJECT TO CHANGE WITHOUT NOTICE

This manual superseded all previous versions – please keep for future reference

Specification

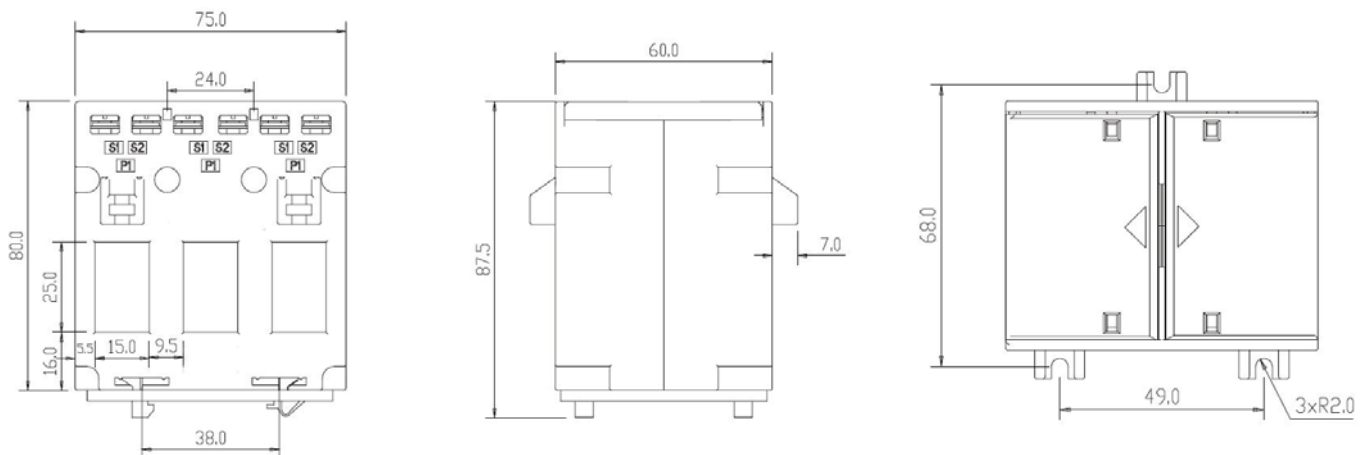
High quality 3 Phase Current Transformers

- System voltage 720V 50-60Hz
- Primary currents 60 to 630 Amps AC
- Test voltage 3kV for 1 minute
- Thermal short circuit current (I_{th}) 60 x I_n
- Dynamic short circuit current (I_{dyn}) 2.55 x I_{th}
- Flame retardant polycarbonate UL94V-0
- International standards IEC/EN 60044-1 / IEC 61869-1, IEC 61010-2
- DIN rail, bus bar or base mounting
- 3 sizes: 15 x 25mm, 21 x 25mm & 31 x 31mm apertures
- Cable apertures from 15.5mm to 31mm
- Accuracy Class 1

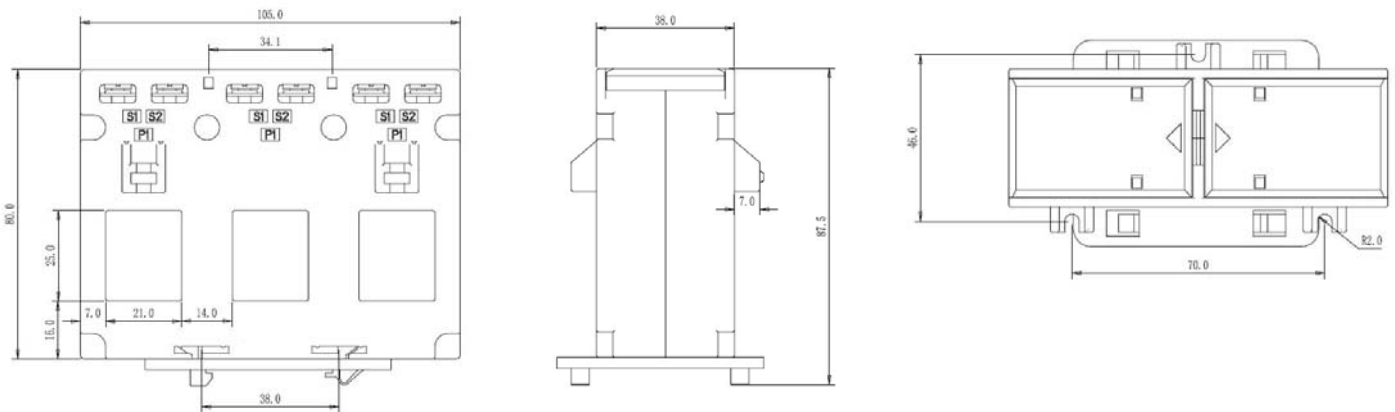
Part Number	CT Ratio	Weight kgs	VA Class 1	Dimensions
XN25-145011S 000000	60/5A	0.6	1	3 x (15 x 25mm) width 76mm
XN25-185031S 000000	100/5A	0.6	1.5	3 x (15 x 25mm) width 76mm
XN25-205031S 000000	125/5A	0.6	1.5	3 x (15 x 25mm) width 76mm
XN25-225031S 000000	150/5A	0.6	1.5	3 x (15 x 25mm) width 76mm
XN25-235031S 000000	160/5A	0.6	1.5	3 x (15 x 25mm) width 76mm
XN35-145031S 000000	60/5A	0.4	1.5	3 x (21 x 25 mm) width 105mm
XN35-185031S 000000	100/5A	0.4	1.5	3 x (21 x 25 mm) width 105mm
XN35-205031S 000000	125/5A	0.4	1.5	3 x (21 x 25 mm) width 105mm
XN35-225031S 000000	150/5A	0.4	1.5	3 x (21 x 25 mm) width 105mm
XN35-235031S 000000	160/5A	0.4	1.5	3 x (21 x 25 mm) width 105mm
XN35-245031S 000000	200/5A	0.4	1.5	3 x (21 x 25 mm) width 105mm
XN35-275031S 000000	250/5A	0.4	1.5	3 x (21 x 25 mm) width 105mm
XN45-275031S 000000	250/5A	0.65	1.5	3 x (31 x 31 mm) width 141mm
XN45-285051S 000000	300/5A	0.65	2.5	3 x (31 x 31 mm) width 141mm
XN45-315051S 000000	400/5A	0.65	2.5	3 x (31 x 31 mm) width 141mm
XN45-325051S 000000	500/5A	0.65	2.5	3 x (31 x 31 mm) width 141mm
XN45-335051S 000000	600/5A	0.65	2.5	3 x (31 x 31 mm) width 141mm
XN45-345051S 000000	630/5A	0.65	2.5	3 x (31 x 31 mm) width 141mm

Dimensions

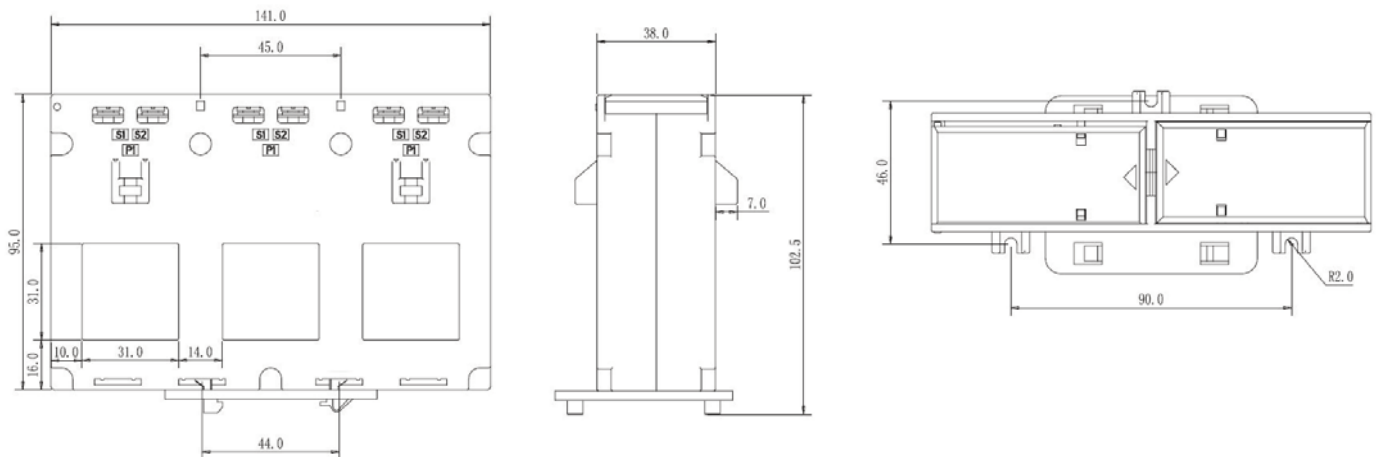
XN25



XN35



XN45



Contact



Sifam Tinsley Instrumentation Ltd

1 Warner Drive
Springwood Industrial Estate
Braintree, Essex
CM7 2YW

Tel: 01376 335271
E-mail: sales@sifamtinsley.com

www.sifamtinsley.co.uk