



sifam tinsley
PRECISION INSTRUMENTATION



Multifunction Meters

Transducers & Isolators

Temperature Controllers

Converters & Recorders

Digital Panel Meters

Current Transformers

Analogue Panel Meters

Shunts

Digital Multimeters

Clamp Meters

Insulation Testers

OMEGA XMER 0.2S

Powered by technology
...driven by service

View our full range online
www.sifamtinsley.co.uk

All dimensions are in mm.

NOTE: Please consult Sifam Tinsley on 1A secondary for availability.

**Features given vary from product to product -
for more detailed product specific info please
visit our website www.sifamtinsley.co.uk**

View our full range online: www.sifamtinsley.co.uk

XMER Moulded Case Range - Class 0.2S

XMER - Class 0.2S

XMER CT's are square type and encapsulated with UL94V-0 approved polycarbonate. These metering CT's feature sealable terminal covers and a wide range of primary current ratings with a high accuracy class suitable for tariff metering applications. Available in various, Bus bar sizes, case widths, and mounting options.

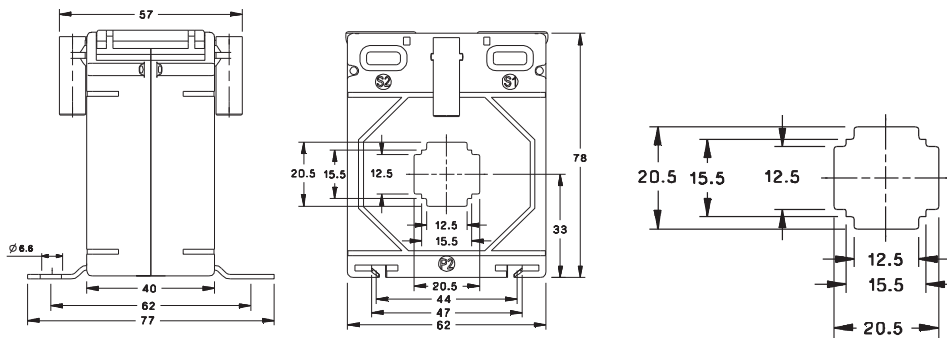
Specifications

- Primary current 80A to 7500A
- Secondary current 1A or 5A
- Accuracy class 0.2s
- Over current limiting factor FS5, FS10, FS15
- Rated frequency 50Hz or 60Hz
- Rated continuous thermal current (standard) 1,2 x in
- Rated short time thermal current with 60 x in, 1 s (Max 40kA)
- Rated isolation level 0.72/3 kV or 0.72/4 kV
- Place of insulation Indoor
- Altitude up to 2000 m
- Degree of protection IP20
- Degree of pollution 2
- Ambient temperature -5°C to + 55°C (0-95% relative humidity, non condensing!)
- Storage temperature -25°C to + 70°C
- Applied standards IEC 60044-1 / IEC 61869-1 : Performance, IEC - 61010 - 2 : Safety.

LCTB 62/20 (62mm Wide x 40mm deep x (20.5x20.5mm) I.D.)

Cat No.	Ratio	VA at 0.2S	Cat No.	Ratio	VA at 0.2S
XM10-185034S000000	100/5A	1.5VA	XM10-275084S000000	250/5A	5VA
XM10-205034S000000	125/5A	1.5VA	XM10-285084S000000	300/5A	5VA
XM10-225054S000000	150/5A	2.5VA	XM10-315104S000000	400/5A	7.5VA
XM10-245084S000000	200/5A	5VA	Primary Ratios available from 100A to 400A		

Dimensions



Features

- Comprehensive class accuracy
- Cost effective moulded case current transformer
- Various mounting options including wall mounting, cable mounting, bus bar mounting and DIN rail mounting
- 0.2s accuracy class
- Wire sealable terminal covers
- Suitable for tariff metering

OMEGA XMER 0.2S

LCTB 62/20



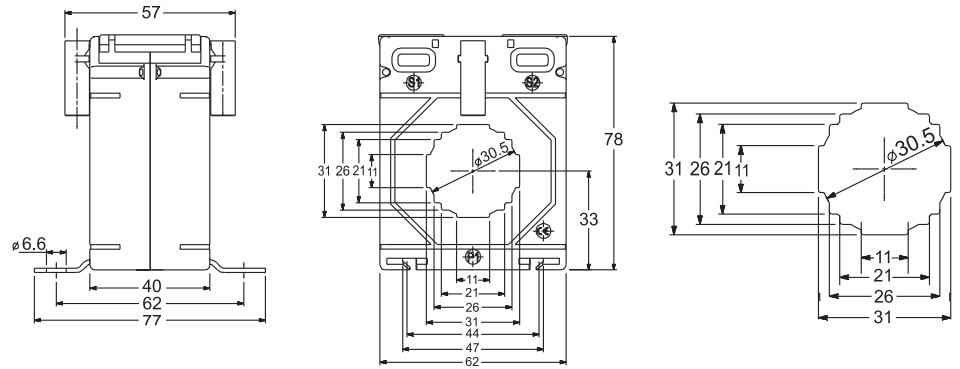
LCTB 62/30



LCTB 62/30 (62mm Wide x 40mm deep x (30 x 11mm) I.D.)

Cat No.	Ratio	VA at 0.2S	Cat No.	Ratio	VA at 0.2S
XM11-185014S000000	100/5A	1VA	XM11-285054S000000	300/5A	2.5VA
XM11-205014S000000	125/5A	1VA	XM11-315074S000000	400/5A	3.75VA
XM11-225034S000000	150/5A	1.5VA	XM11-325084S000000	500/5A	5VA
XM11-245054S000000	200/5A	2.5VA	XM11-335084S000000	600/5A	5VA
XM11-275054S000000	250/5A	2.5VA	Primary Ratios available from 100A to 800A		

Dimensions



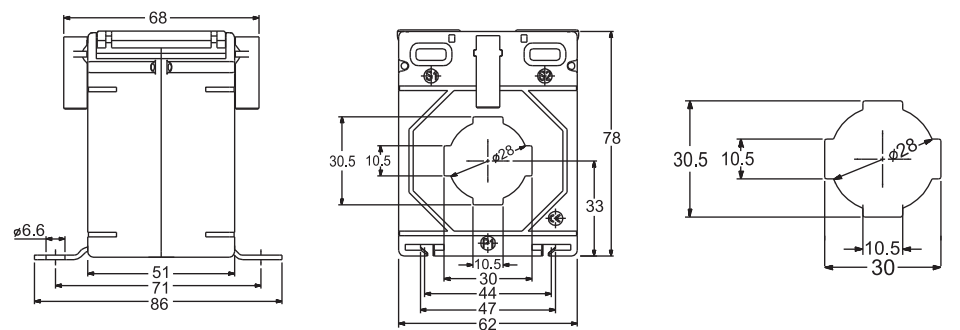
LTCB 62/30 (50)



LTCB 62/30 (50) (62mm wide x 50mm deep x (30 x 11mm) I.D.)

Cat No.	Ratio	VA at 0.2S	Cat No.	Ratio	VA at 0.2S
XM12-185034S000000	100/5A	1.25VA	XM12-315084S000000	400/5A	5VA
XM12-205034S000000	125/5A	1.25VA	XM12-325084S000000	500/5A	5VA
XM12-225044S000000	150/5A	2VA	XM12-335094S000000	600/5A	6.25VA
XM12-245064S000000	200/5A	3VA	XM12-365094S000000	750/5A	6.25VA
XM12-275064S000000	250/5A	3VA	XM12-375094S000000	800/5A	6.25VA
XM12-285064S000000	300/5A	3VA	Primary Ratios available from 100A to 800A		

Dimensions



All dimensions are in mm.

NOTE: Please consult Sifam Tinsley on 1A secondary for availability.

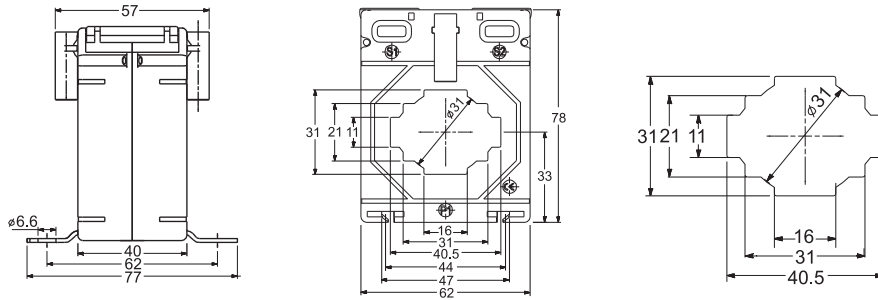
Features given vary from product to product - for more detailed product specific info please visit our website www.sifamtinsley.co.uk

LCTB 62/40 (62mm wide x 40mm deep x (40 x 11mm) I.D.)

Cat No.	Ratio	VA at 0.2S	Cat No.	Ratio	VA at 0.2S
XM13-245014S000000	200/5A	1VA	XM13-325074S000000	500/5A	3.75VA
XM13-275034S000000	250/5A	1.5VA	XM13-335084S000000	600/5A	5VA
XM13-285034S000000	300/5A	1.5VA	XM13-365084S000000	750/5A	5VA
XM13-315054S000000	400/5A	2.5VA	XM13-375084S000000	800/5A	5VA

Primary Ratios available from 200A to 800A

Dimensions



LCTB 62/40

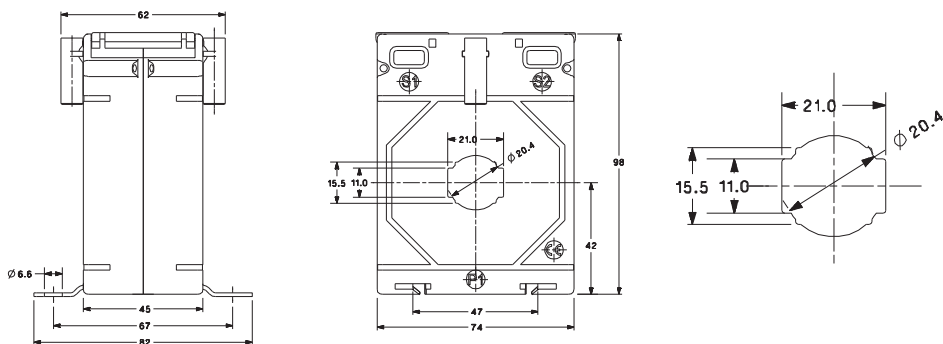


LCTB 74/20 (74mm wide x 45mm deep x (20.4mm) I.D.)

Cat No.	Ratio	VA at 0.2S	Cat No.	Ratio	VA at 0.2S
XM14-185085S000000	100/5A	5VA	XM14-275115S000000	250/5A	10VA
XM14-205085S000000	125/5A	5VA	XM14-285135S000000	300/5A	15VA
XM14-225105S000000	150/5A	7.5VA	XM14-315135S000000	400/5A	15VA
XM14-245115S000000	200/5A	10VA			

Primary Ratios available from 80A to 400A

Dimensions



LCTB 74/20



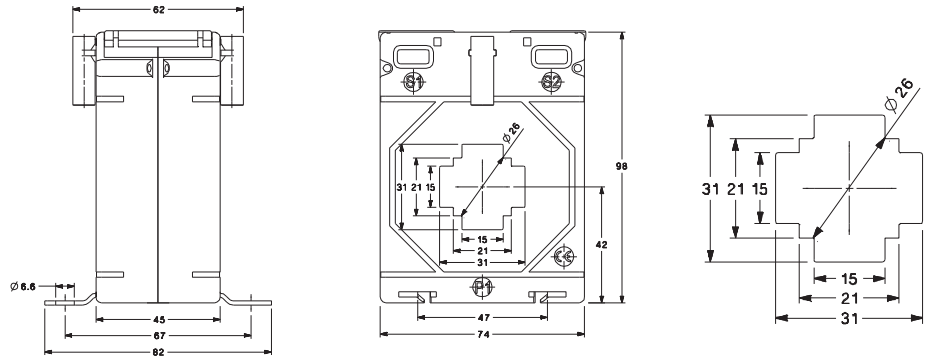
LCTB 74/30



LCTB 74/30 (74mm wide x 45mm deep x (31x31mm) I.D.)

Cat No.	Ratio	VA at 0.2S	Cat No.	Ratio	VA at 0.2S
XM15-185034S000000	100/5A	1.5VA	XM15-315084S000000	400/5A	5VA
XM15-205034S000000	125/5A	1.5VA	XM15-325084S000000	500/5A	5VA
XM15-225034S000000	150/5A	1.5VA	XM15-335084S000000	600/5A	5VA
XM15-245054S000000	200/5A	2.5VA	XM15-365104S000000	750/5A	7.5VA
XM15-275054S000000	250/5A	2.5VA	XM15-375114S000000	800/5A	10VA
XM15-285054S000000	300/5A	2.5VA	Primary Ratios available from 80A to 800A		

Dimensions



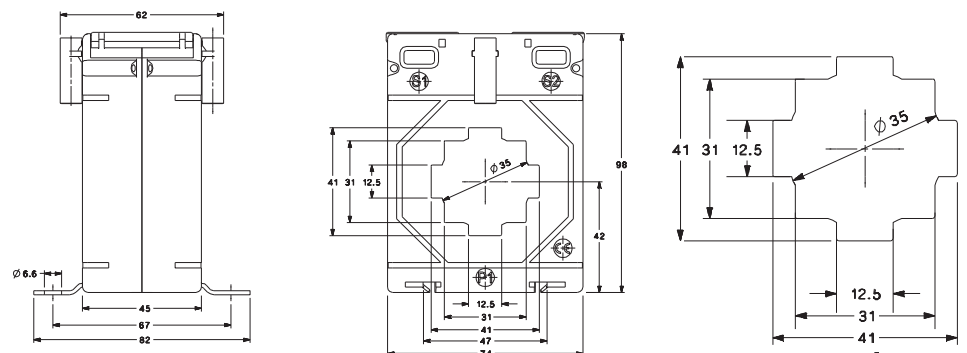
LCTB 74/40



LCTB 74/40 ((74mm wide x 45mm deep x (41x41mm) I.D.)

Cat No.	Ratio	VA at 0.2S	Cat No.	Ratio	VA at 0.2S
XM16-245054S000000	200/5A	2.5VA	XM16-335084S000000	600/5A	5VA
XM16-275054S000000	250/5A	2.5VA	XM16-365084S000000	750/5A	5VA
XM16-285054S000000	300/5A	2.5VA	XM16-375104S000000	800/5A	7.5VA
XM16-315084S000000	400/5A	5VA	XM16-395114S000000	1000/5A	10VA
XM16-325084S000000	500/5A	5VA	Primary Ratios available from 200A to 1000A		

Dimensions



All dimensions are in mm.

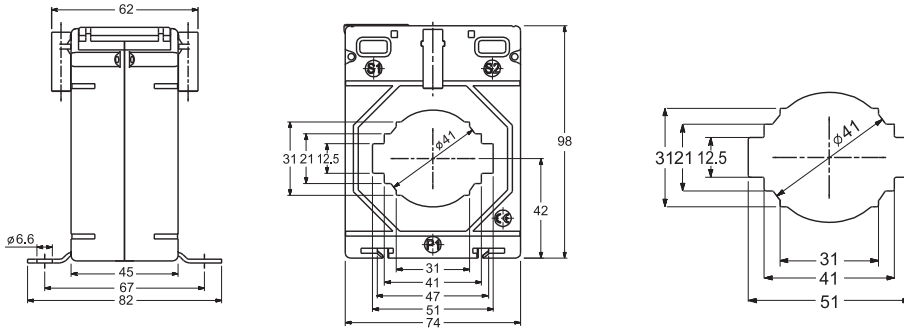
NOTE: Please consult Sifam Tinsley on 1A secondary for availability.

Features given vary from product to product - for more detailed product specific info please visit our website www.sifamtinsley.co.uk

LCTB 74/50 ((74mm wide x 45mm deep x (50 x 12mm) I.D.)

Cat No.	Ratio	VA at 0.2S	Cat No.	Ratio	VA at 0.2S
XM17-275034S000000	250/5A	1.5VA	XM17-365084S000000	750/5A	5VA
XM17-285034S000000	300/5A	1.5VA	XM17-375084S000000	800/5A	5VA
XM17-315054S000000	400/5A	2.5VA	XM17-395084S000000	1000/5A	5VA
XM17-325084S000000	500/5A	5VA	Primary Ratios available from 250A to 1000A		
XM17-335084S000000	600/5A	5VA			

Dimensions



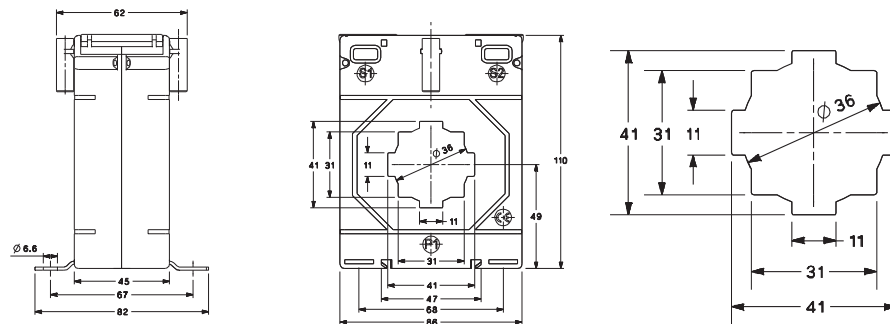
LCTB 74/50



LCTB 86/40 (86mm wide x 45mm deep x (41 x 41mm) I.D.)

Cat No.	Ratio	VA at 0.2S	Cat No.	Ratio	VA at 0.2S
XM18-185034S000000	100/5A	1.5VA	XM18-325084S000000	500/5A	5VA
XM18-205034S000000	125/5A	1.5VA	XM18-335104S000000	600/5A	7.5VA
XM18-225054S000000	150/5A	2.5VA	XM18-365104S000000	750/5A	7.5VA
XM18-245054S000000	200/5A	2.5VA	XM18-375114S000000	800/5A	10VA
XM18-275074S000000	250/5A	3.75VA	XM18-395114S000000	1000/5A	10VA
XM18-285074S000000	300/5A	3.75VA	Primary Ratios available from 100A to 1000A		
XM18-315074S000000	400/5A	3.75VA			

Dimensions



LCTB 86/40



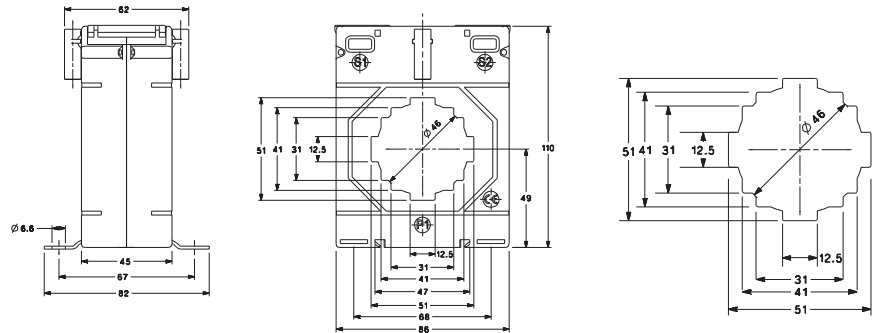
LCTB 86/50



LCTB 86/50 (86mm wide x 45mm deep x (51 x 51mm) I.D.)

Cat No.	Ratio	VA at 0.2S	Cat No.	Ratio	VA at 0.2S
XM19-285034S000000	300/5A	1.5VA	TXM19-375114S000000	800/5A	10VA
XM19-315054S000000	400/5A	2.5VA	XM19-395124S000000	1000/5A	12.5VA
XM19-325054S000000	500/5A	2.5VA	XM19-405124S000000	1200/5A	12.5VA
XM19-335084S000000	600/5A	5VA	XM19-415124S000000	1250/5A	12.5VA
XM19-365104S000000	750/5A	7.5VA	Primary Ratios available from 300A to 1250A		

Dimensions



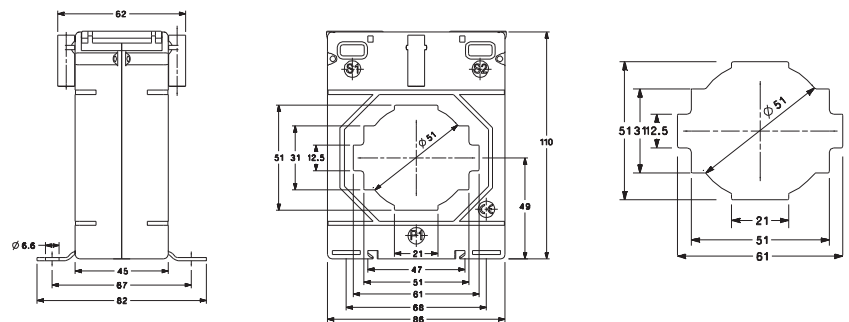
LCTB 86/60



LCTB 86/60 (86mm wide x 45mm deep x (61 x 51mm) I.D.)

Cat No.	Ratio	VA at 0.2S	Cat No.	Ratio	VA at 0.2S
XM20-285034S000000	300/5A	1.5VA	XM20-395114S000000	1000/5A	10VA
XM20-315054S000000	400/5A	2.5VA	XM20-405114S000000	1200/5A	10VA
XM20-325054S000000	500/5A	2.5VA	XM20-415114S000000	1250/5A	10VA
XM20-335084S000000	600/5A	5VA	XM20-425114S000000	1500/5A	10VA
XM20-365084S000000	750/5A	5VA	XM20-435114S000000	1600/5A	10VA
XM20-375104S000000	800/5A	7.5VA	Primary Ratios available from 300A to 1600A		

Dimensions



All dimensions are in mm.

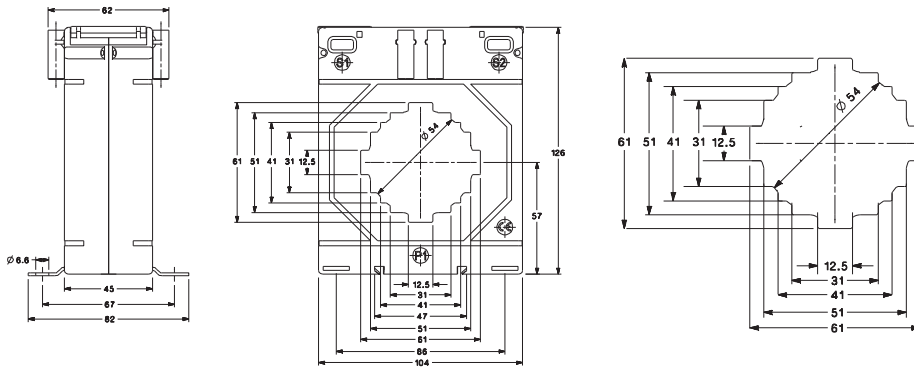
NOTE: Please consult Sifam Tinsley on 1A secondary for availability.

Features given vary from product to product - for more detailed product specific info please visit our website www.sifamtinsley.co.uk

LCTB 104/60 (104mm wide x 45mm deep x (60 x 12mm) I.D.)

Cat No.	Ratio	VA at 0.2S	Cat No.	Ratio	VA at 0.2S
XM21-285034S000000	300/5A	1.5VA	XM21-395114S000000	1000/5A	10VA
XM21-315054S000000	400/5A	2.5VA	XM21-405114S000000	1200/5A	10VA
XM21-325074S000000	500/5A	3.75VA	XM21-415114S000000	1250/5A	10VA
XM21-335084S000000	600/5A	5VA	XM21-425114S000000	1500/5A	10VA
XM21-365084S000000	750/5A	5VA	XM21-365114S000000	1600/5A	10VA
XM21-375104S000000	800/5A	7.5VA	Primary Ratios available from 300A to 1600A		

Dimensions



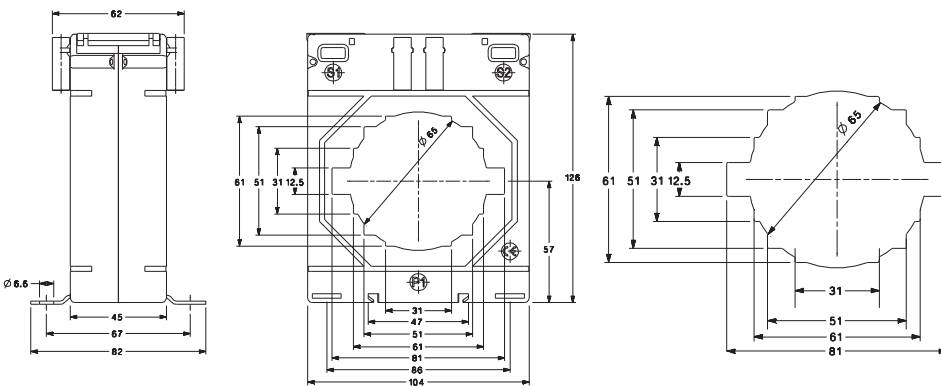
LCTB 104/60



LCTB 104/80 (104mm wide x 45mm deep x (80 x 12mm) I.D.)

Cat No.	Ratio	VA at 0.2S	Cat No.	Ratio	VA at 0.2S
XM22-365084S000000	750/5A	5VA	XM22-425114S000000	1500/5A	10VA
XM22-375084S000000	800/5A	5VA	XM22-435114S000000	1600/5A	10VA
XM22-395104S000000	1000/5A	7.5VA	XM22-445114S000000	2000/5A	10VA
XM22-405114S000000	1200/5A	10VA	Primary Ratios available from 750A to 2000A		
XM22-415114S000000	1250/5A	10VA			

Dimensions



LCTB 104/80



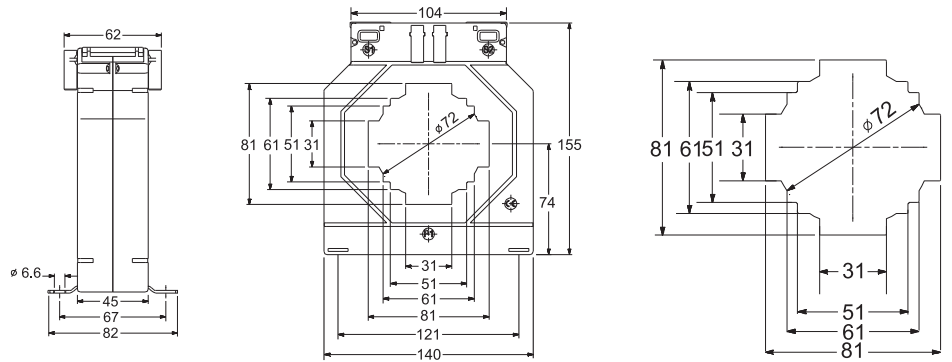
LCTB 140/80



LCTB 140/80 (140mm wide x 45mm deep x (80mm x 30mm) I.D.)

Cat No.	Ratio	VA at 0.2S	Cat No.	Ratio	VA at 0.2S
XM23-325054S000000	500/5A	2.5VA	XM23-415124S000000	1250/5A	12.5VA
XM23-335074S000000	600/5A	3.75VA	XM23-425134S000000	1500/5A	15VA
XM23-365084S000000	750/5A	5VA	XM23-435134S000000	1600/5A	15VA
XM23-375084S000000	800/5A	5VA	XM23-445134S000000	2000/5A	15VA
XM23-395114S000000	1000/5A	10VA	Primary Ratios available from 500A to 2000A		
XM23-405124S000000	1200/5A	12.5VA			

Dimensions



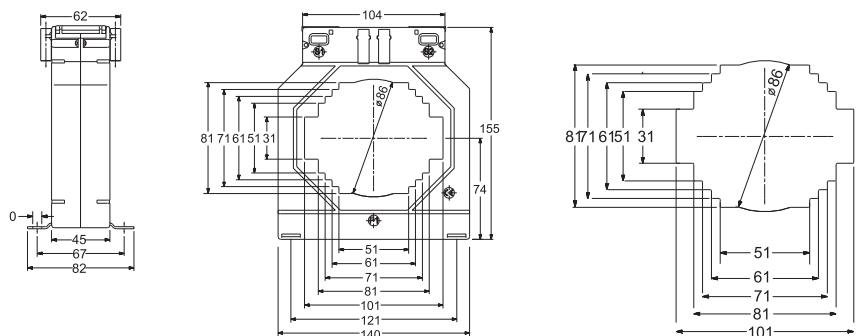
LCTB 140/100H



LCTB 140/100H (140mm wide x 45mm deep x (100 x 30mm) I.D.)

Cat No.	Ratio	VA at 0.2S	Cat No.	Ratio	VA at 0.2S
XM24-335054S000000	600/5A	2.5VA	XM24-435134S000000	1600/5A	15VA
XM24-365084S000000	750/5A	5VA	XM24-445134S000000	2000/5A	15VA
XM24-375084S000000	800/5A	5VA	XM24-466134S000000	2500/5A	15VA
XM24-395084S000000	1000/5A	5VA	XM24-485134S000000	3000/5A	15VA
XM24-405114S000000	1200/5A	10VA	XM24-515134S000000	4000/5A	15VA
XM24-415114S000000	1250/5A	10VA	Primary Ratios available from 600A to 4000A		
XM24-425134S000000	1500/5A	15VA			

Dimensions



All dimensions are in mm.

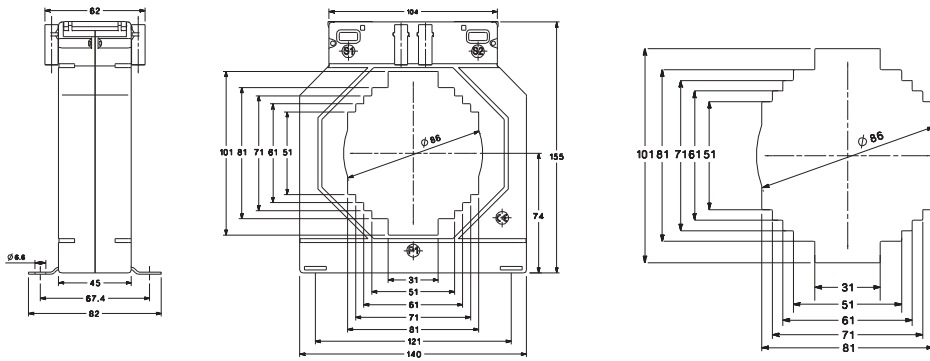
NOTE: Please consult Sifam Tinsley on 1A secondary for availability.

Features given vary from product to product - for more detailed product specific info please visit our website www.sifamtinsley.co.uk

LCTB 140/100V (140mm wide x 45mm deep x (81 x 101mm) I.D.)

Cat No.	Ratio	VA at 0.2S	Cat No.	Ratio	VA at 0.2S
XM25-335054S000000	600/5A	2.5VA	XM25-425134S000000	1500/5A	15VA
XM25-365084S000000	750/5A	5VA	XM25-435134S000000	1600/5A	15VA
XM25-375084S000000	800/5A	5VA	XM25-445134S000000	2000/5A	15VA
XM25-395084S000000	1000/5A	5VA	XM25-466134S000000	2500/5A	15VA
XM25-405114S000000	1200/5A	10VA	XM25-485134S000000	3000/5A	15VA
XM25-415114S000000	1250/5A	10VA	Primary Ratios available from 200A to 3000A		

Dimensions



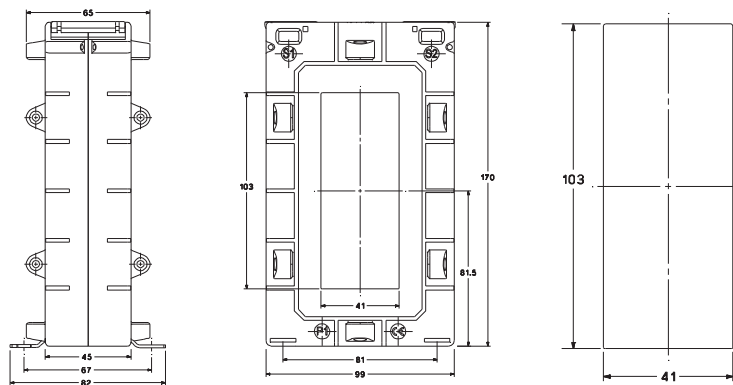
LCTB 140/100V



LCTB 100/100V (140mm wide x 45mm deep x (41 x 103mm) I.D.)

Cat No.	Ratio	VA at 0.2S	Cat No.	Ratio	VA at 0.2S
XR01-405084S000000	1200/5A	5VA	XR01-445104S000000	2000/5A	7.5VA
XR01-415084S000000	1250/5A	5VA	XR01-466114S000000	2500/5A	10VA
XR01-425084S000000	1500/5A	5VA	Primary Ratios available from 1200A to 2500A		
XR01-435104S000000	1600/5A	7.5VA			

Dimensions



LCTB 100/100V



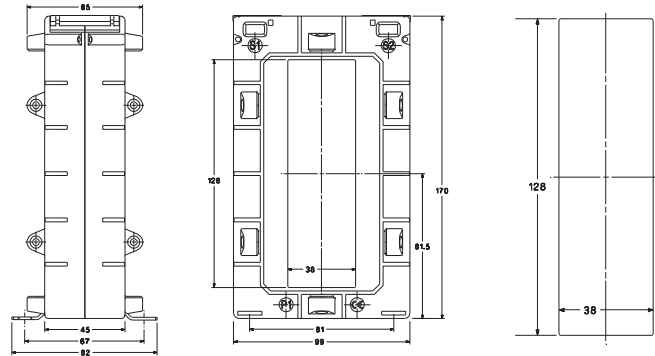
LCTB 100/130V



LCTB 100/130V (140mm wide x 45mm deep x (38 x 128mm) I.D.)

Cat No.	Ratio	VA at 0.2S	Cat No.	Ratio	VA at 0.2S
XR02-425084S000000	1500/5A	5VA	XR02-486084S000000	3000/5A	5VA
XR02-435084S000000	1600/5A	5VA	XR02-496084S000000	3200/5A	5VA
XR02-445084S000000	2000/5A	5VA	Primary Ratios available from 1500A to 3200A		
XR02-466084S000000	2500/5A	5VA			

Dimensions



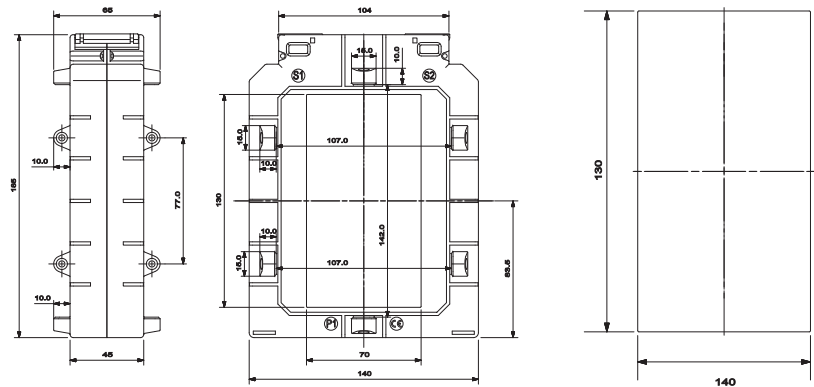
LCTB 140/130V



LCTB 140/130V (140mm wide x 45mm deep x (70 x 130mm) I.D.)

Cat No.	Ratio	VA at 0.2S	Cat No.	Ratio	VA at 0.2S
XR03-395084S000000	1000/5A	5VA	XR03-486134S000000	3000/5A	15VA
XR03-405104S000000	1200/5A	7.5VA	XR03-496134S000000	3200/5A	15VA
XR03-415104S000000	1250/5A	7.5VA	XR03-516134S000000	4000/5A	15VA
XR03-425114S000000	1500/5A	10VA	XR03-526134S000000	5000/5A	15VA
XR03-435114S000000	1600/5A	10VA	Primary Ratios available from 1000A to 5000A		
XR03-445134S000000	2000/5A	15VA			
XR03-466134S000000	2500/5A	15VA			

Dimensions



All dimensions are in mm.

NOTE: Please consult Sifam Tinsley on 1A secondary for availability.

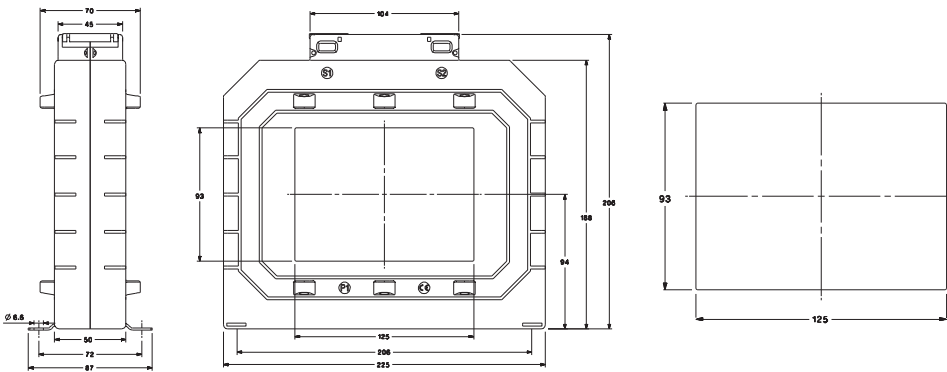
Features given vary from product to product - for more detailed product specific info please visit our website www.sifamtinsley.co.uk

LCTB 225/125 (225mm wide x 50mm deep x (125mm x 93mm) I.D.)

Cat No.	Ratio	VA at 0.2S	Cat No.	Ratio	VA at 0.2S
XR04-395084S000000	1000/5A	5VA	XR04-465114S000000	2500/5A	10VA
XR04-405084S000000	1200/5A	5VA	XR04-485114S000000	3000/5A	10VA
XR04-415084S000000	1250/5A	5VA	XR04-515134S000000	4000/5A	15VA
XR04-425104S000000	1500/5A	7.5VA	XR04-525134S000000	5000/5A	15VA
XR04-435104S000000	1600/5A	7.5VA	XR04-535134S000000	6000/5A	15VA
XR04-445114S000000	2000/5A	10VA			

Primary Ratios available from 1000A to 6000A

Dimensions



LCTB 225/125

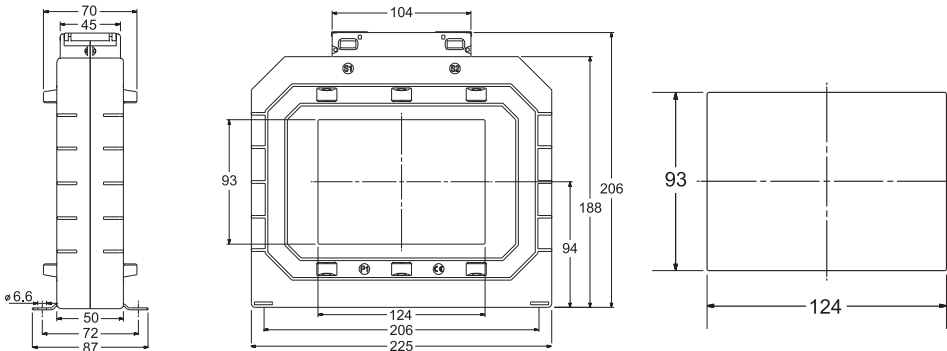


LCTB 225/167 (225mm wide x 50mm deep x (167mm x 66mm) I.D.)

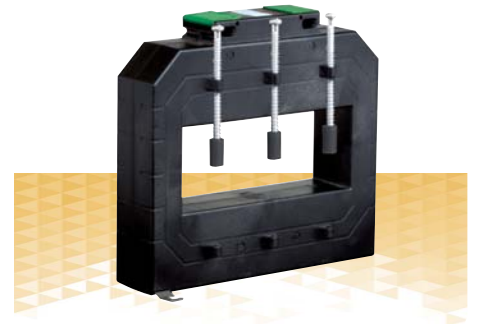
Cat No.	Ratio	VA at 0.2S	Cat No.	Ratio	VA at 0.2S
XR05-425084S000000	1500/5A	5VA	XR05-515114S000000	4000/5A	10VA
XR05-435084S000000	1600/5A	5VA	XR05-525134S000000	5000/5A	15VA
XR05-445104S000000	2000/5A	7.5VA	XR05-535134S000000	6000/5A	15VA
XR05-465114S000000	2500/5A	10VA	XR05-545134S000000	7500/5A	15VA
XR05-485114S000000	3000/5A	10VA			

Primary Ratios available from 1500A to 7500A

Dimensions



LCTB 225/167



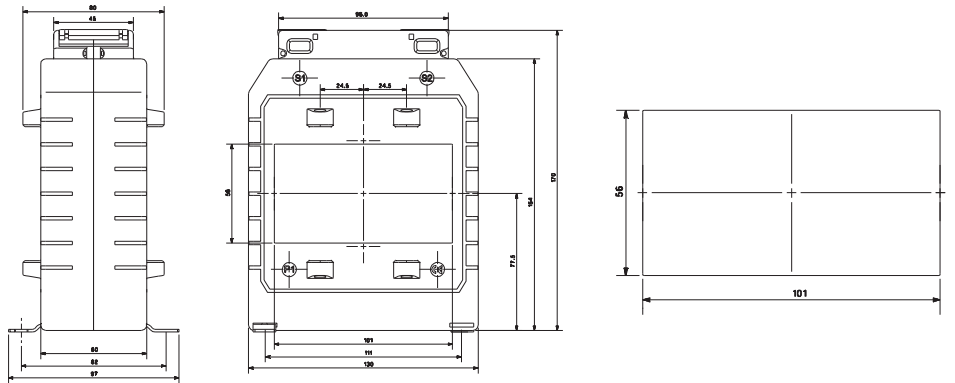
LCTB 130/100V



LCTB 130/100V (140mm wide x 45mm deep x (101 x 56mm) I.D.)

Cat No.	Ratio	VA at 0.2S	Cat No.	Ratio	VA at 0.2S
XR06-335054S000000	600/5A	2.5VA	XR06-425114S000000	1500/5A	10VA
XR06-365084S000000	750/5A	5VA	XR06-435114S000000	1600/5A	10VA
XR06-375114S000000	800/5A	10VA	XR06-445114S000000	2000/5A	10VA
XR06-395114S000000	1000/5A	10VA	XR06-466114S000000	2500/5A	10VA
XR06-405114S000000	1200/5A	10VA	XR06-485124S000000	3000/5A	12.5VA
XR06-415114S000000	1250/5A	10VA	Primary Ratios available from 600A to 3000A		

Dimensions



All dimensions are in mm.

NOTE: Please consult Sifam Tinsley on 1A secondary for availability.

Features given vary from product to product - for more detailed product specific info please visit our website www.sifamtinsley.co.uk

About Sifam Tinsley

An established brand name for over 75 years; Sifam Tinsley Instrumentation has an unrivaled pedigree in the industry, our dedicated research and development facility ensures that the latest technology is utilised in our electronic products whilst our traditional analogue range continues to perform through the test of time. Our UK facility completes the picture by enabling the service our customers expect.



Our Vision

To remain in harmony with our customers and continue to meet their ever changing and more demanding requirements.

Our Mission

Sifam Tinsley Instrumentation is proud to offer an unrivalled, dedicated, custom service to our customers by supplying the exact product requirement, on time, every time, from our local UK facility.

Powered by technology
...driven by service

Multifunction Meters

Transducers & Isolators

Temperature Controllers

Converters & Recorders

Digital Panel Meters

Current Transformers

Analogue Panel Meters

Shunts

Digital Multimeters

Clamp Meters

Insulation Testers



Sifam Tinsley Instrumentation Ltd

1 Warner Drive
Springwood Industrial Estate
Braintree, Essex
CM7 2YW

Tel: 01376 335271
E-mail: sales@sifamtinsley.co.uk

www.sifamtinsley.co.uk